

Technical data sheet

25 mm² series connectors, polypropylene

Item no. 2056577



Tested to EN 60998.

Brass terminals, steel screws, electrogalvanised and transparently passivated, 12-pole, individual terminals detachable from strips.

Captive upwards screw.

Max. approved ambient temperature to EN 60998: -5 to +80 °C.

Nominal cross-section 25 mm².

Nominal voltage 750 V.

Nominal current 101 A.

Max. attachment each side: 25 mm² multi-wire or 16 mm² fine-wire.

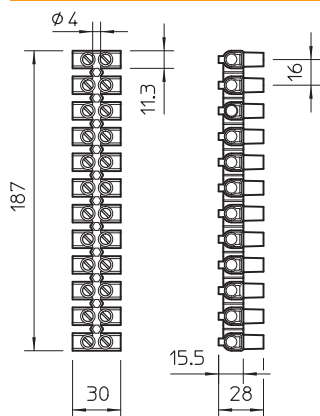


PP Polypropylene

Master data

Item no.	2056577
Type	79 CE WS/EKL 4BE
Description 1	Terminal strip
Dimension	25,0mm ²
Colour	White
Material	Polypropylene
Material symbol	PP
Smallest sales unit (VG)	10,00 Piece
Weight	11,20 kg/100 pc.

Technical data



Length	187,00 mm
Width	30,00 mm
Height	28,00 mm
Closing plate required	<input type="checkbox"/>
Connectable conductor cross-section, fine-wire without wire-end ferrule	16,00 - 16,00 mm ²
Connectable conductor cross-section, multi-wire	25,00 - 25,00 mm ²
Connection position	Side
No. of terminals	12,00
Number of screwless terminals per pole	2,00
Screw tightening torque	2,00 N/m
Version of electrical connection 1	Screw connection
Version of electrical connection 2	Screw connection
Drill hole spacing, centre	16,00 mm
Explosion-tested version	<input type="checkbox"/>
Suitable for flexible conductors	<input checked="" type="checkbox"/>
Suitable for solid conductors	<input checked="" type="checkbox"/>
Suitable for multi-wire conductors	<input checked="" type="checkbox"/>
Mounting type	Direct mounting

Technical data sheet

25 mm² series connectors, polypropylene

Item no. 2056577



Technical data

Nominal cross section	25,00 mm ²
Nominal voltage	750,00 V
Nominal current	101,00 A
Pole number	12,00
Cross-section	Max. attachment each side: 25 mm ² multi-wire or 16 mm ² fine-wire mm ²
max. permitted ambient temperature	-5,00 - 80,00 °C
Transparent	<input type="checkbox"/>
Ambient temperature	80 °C