

Technical data sheet

4 mm² series connectors, polypropylene

Item no. 2056070



Tested according to EN 60998.
 Steel terminals, steel screws, electrogalvanised, 12-pin, individual terminals detachable from strips using "twist'n'pull".
 Captive upwards screw.
 Max. approved ambient temperature to EN 60998: -5 to +80 °C.
 Nominal cross-section 4 mm²
 Nominal voltage 450 V
 Nominal current 32 A
 Max. attachment each side: 4 mm² single-wire or 2.5 mm² multi-wire/flexible.

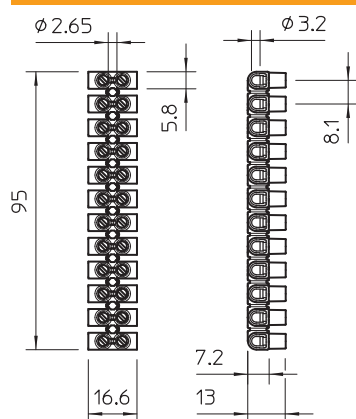


PP Polypropylene

Master data

Item no.	2056070
Type	72 CE WS/EKL 0 S
Description 1	Terminal strip
Dimension	4,0mm ²
Colour	White
Material	Polypropylene
Material symbol	PP
Smallest sales unit (VG)	10,00 Piece
Weight	1,80 kg/100 pc.

Technical data



Length	95,00 mm
Width	16,60 mm
Height	13,00 mm
Closing plate required	<input type="checkbox"/>
Connectable conductor cross-section, fine-wire without wire-end ferrule	1,00 - 4,00 mm ²
Connectable conductor cross-section, single-wire	1,00 - 4,00 mm ²
Connectable conductor cross-section, multi-wire	1,00 - 4,00 mm ²
Connection position	Side
No. of terminals	12,00
Number of screwless terminals per pole	2,00
Screw tightening torque	0,40 N/m
Version of electrical connection 1	Screw connection
Version of electrical connection 2	Screw connection
Drill hole spacing, centre	8,10 mm
Explosion-tested version	<input type="checkbox"/>
Suitable for flexible conductors	<input checked="" type="checkbox"/>
Suitable for solid conductors	<input checked="" type="checkbox"/>
Suitable for multi-wire conductors	<input checked="" type="checkbox"/>

Technical data sheet

4 mm² series connectors, polypropylene

Item no. 2056070



Technical data

Mounting type	Direct mounting
Nominal cross section	4,00 mm ²
Nominal voltage	450,00 V
Nominal current	32,00 A
Pole number	12,00
Cross-section	Max. attachment each side: 4 mm ² single-wire or 2.5 mm ² multi-wire/flexible mm ²
max. permitted ambient temperature	-5,00 - 80,00 °C
Transparent	<input type="checkbox"/>
Ambient temperature	80 °C