

Technical data sheet

Junction box T40 with pre-marking, closed

Item no. 2007900



Junction box for the connection of cables and lines indoors and in protected outdoor areas. Square design with knock-out entries to the sides and knock-out entries in the bottom. Suitable for wall and ceiling mounting and on mounting panels. With the option to fasten inside and to mount via the corner domes. With fixed clamping cover. Made from halogen-free materials. Junction box according to DIN EN 60670. Flame-resistant to DIN EN 60695/2/11, test temperature 650 °C. Impact resistance IK07 according to DIN EN 50102.



PP Polypropylene

Additional product text, instruction	Standard version: flame-resistant, testing temperature 650 °C. F version: highly flame-resistant, testing temperature 960 °C.
Product text, scope of delivery	Junction box for the connection of cables and lines indoors and in protected outdoor areas. Square design with knock-out entries to the sides and knock-out entries in the bottom. Suitable for wall and ceiling mounting and on mounting panels. With the option to fasten inside and to mount via the corner domes. With fixed clamping cover. Made from halogen-free materials. Junction box according to DIN EN 60670. Flame-resistant to DIN EN 60695/2/11, test temperature 650 °C. Impact resistance IK07 according to DIN EN 50102.

Master data

Item no.	2007900
Type	T 40 M20
Description 1	Junction box
Description 2	with M20 entries
Dimension	90x90x52
Colour	Light grey
RAL number	7035
Material	Polypropylene
Material symbol	PP
Smallest sales unit (VG)	5,00 Piece
Weight	6,10 kg/100 pc.

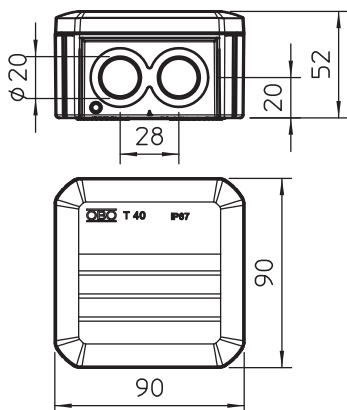
Technical data sheet

Junction box T40 with pre-marking, closed

Item no. 2007900



Technical data



Length	90,00 mm
Width	90,00 mm
Height	52,00 mm
Clear internal dimensions	77x77x46 mm
Dimension LxWxH	90x90x52 mm
Dimension	90 x 90 x 52 mm
Expandable	<input checked="" type="checkbox"/>
No. of entries	7,00
Type of entry	Gland
Type of entry	Plug-in seal
Type of housing penetration	Pre-marking
Version	Closed
Measured insulation voltage Vi	500,00 V
Equipment	Without
Cover	Not transparent
Cover fastening	Locking
Entries	7 x Ø20
Entry from rear	<input checked="" type="checkbox"/>
Explosion-tested version	<input type="checkbox"/>
Flame resistant	Flame resistant to VDE 0471/DIN 695 Part 2-1, test temperature 650 °C
Shape	Square
Function maintenance (ETIM)	Without
For Ex zone	Without
For Ex zone gas	Without
For Ex zone dust	Without
Fibre-glass reinforced	<input type="checkbox"/>
Halogen-free	<input checked="" type="checkbox"/>
With screening	<input type="checkbox"/>
with lid	With locking lid
With cover	<input checked="" type="checkbox"/>
Installation type	Wall/ceiling mounting
Mounting type	Wall/ceiling mounting
Nominal cross section	4,00 mm ²
Nominal voltage	500,00 V
Protection rating	IP67
Protection rating	IP67
Protection rating IK code	IK07.
Sealable	<input checked="" type="checkbox"/>
max. permitted ambient temperature	-5,00 - 60,00 °C
Transparent lid	<input type="checkbox"/>
Weatherproof	<input type="checkbox"/>